

# BENKA FIBER DISTRIBUTION BOX

## APPLICATION

BENKA Fiber Distribution Box (ODF Wall mount) are designed to manage and organize fiber distribution in areas where space is limited. It integrates fiber splicing, splitting, distribution, storage and cable connection in one unit. BENKA Fiber Distributions Box will support the following applications, such as: FTTX, LAN, WAN

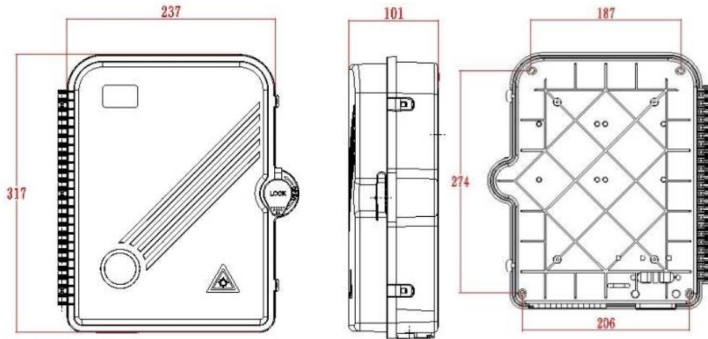
## STANDARD

ITU-G.652.D, TIA/EIA-604 (FOCIS)

IEC 60297-3, TIA/EIA-604-10

IEC 61754-4, IEC 61300-3-4, IEC 61754-20, IEC 61300-3-4

RoHS



## TECHNICAL DATA

General Specifications	
Dimensions (mm)	317 x 237 x 101
Color	White
Material Type	PC and ABS
Environment	Outdoor & Indoor
Capacity (Port)	24
Fastening	Wall and Pole Mountable (Accessories Optional)
IP Rating (Protection Level)	IP65
Connector Type	LC Duplex or SC Simplex (Unloaded)
Operating Temperature	-20°C ÷ +75°C

## PART NUMBERS

Part Number	Description
BNK-FDB24	BENKA Fiber Distribution Box 24 Port LCD/SCS
BNK-FDB36	BENKA Fiber Distribution Box 36 Port LCD/SCS