

## BENKA FIBER PATCH PANEL

### APPLICATION

BENKA Fiber Patch Panel rack mount provides a ready-to-install system for managing fiber optic terminations, connections and patching in a variety of applications in entrance facilities, telecommunications rooms, data centers, at the desk in the main distribution, horizontal distribution, and equipment distribution areas.

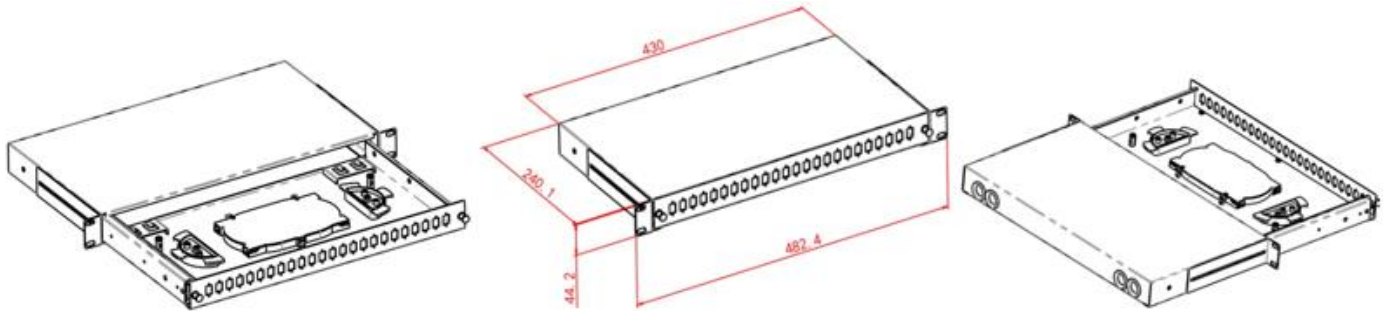
### STANDARDS

ISO 11801, ANSI/TIA- 568-C.3, TIA/EIA-604 (FOCIS)

IEC 60297-3, EIA-310-D

IEC 61754-4, IEC 61300-3-4, IEC 61754-20, IEC 61300-3-4

RoHS



### TECHNICAL DATA

General Specifications	
Dimensions (mm)	483 x 240 x 44
Color	Black
Weight (kg)	3.5
Material Type	Cold Rolled Sheet
Material Thickness (mm)	1.2
Capacity (Ports)	24
Fastening	19"
Amount of Height Units	1U
Connector Type	SC Duplex or LC Duplex or SC Simplex
Operating Temperature	-20°C~75°C

### PART NUMBER

Part Number	Description
BNK-FP24LDP1U	BENKA Fiber Patch Panel, 24 Port, LC Duplex/SC Simplex, Rack Mount, 1U
BNK-FP24SDP1U	BENKA Fiber Patch Panel, 24 Port, SC Duplex, Rack Mount, 1U